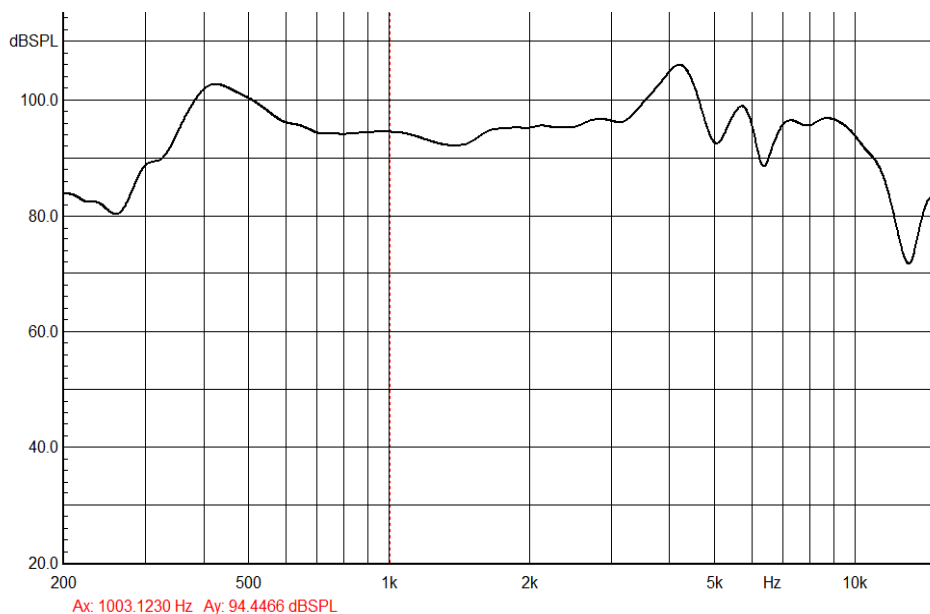


# Speaker Specification



Customer's Model No.		Customer		QUARTZ	
Kepo Model No.		KPSP5075MN-150/0.25F	Size	Φ 50mm	Drawing No. J25110
No.	Item	Specification	Test Condition		
1	Impedance	150Ω± 15%	at 1.0kHz		
2	Resonant Fr. (fo)	450Hz± 20%			
3	Frequency Range	F0-10KHz			
4	Rated Power	0.25W			
5	Max Power	0.5W			
6	S.P.L.	92± 3dB	0.1W/0.1M at 0.8,1.0,1.2,1.5KHz		
7	Distortion	Max 5%	at rated power 1.0kHz		
8	Sweep Test	must be normal	at sine wave 4.3V		
9	Load Test	after test meet item 8	0.25W rated noise power, 24 Hrs.		
10	Heat Test	after test meet item 8	50± 2℃ 5Hrs.		
11	Cold Test	after test meet item 8	-25± 2℃ 16Hrs.		
12	Humidity Test	after test meet item 8	40± 2℃ ,90/95%R.H. 5Hrs.		
13	Weight	11.5g			
14	Polarity Test	When supplied plus D.C. voltage to (+) terminal, the cone must move to forward.			
15	Note				



# Specification for Speaker

Page

2/2

Revision No.

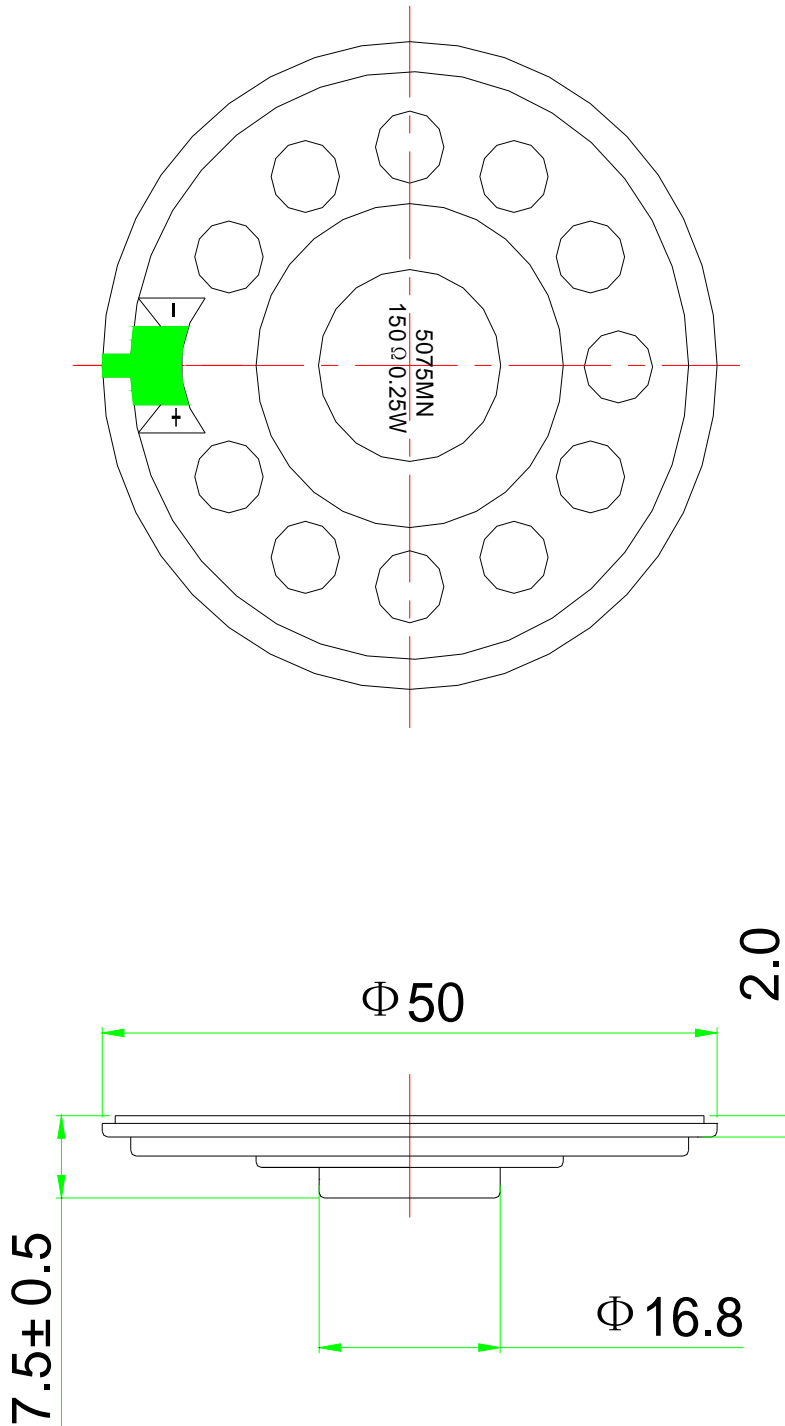
1.0

Model No. :

Drawing No.

KFC

## 2. Dimensions



FIRST ANGLE PROJECTION

UNIT : mm

Tolerance : ±0.2